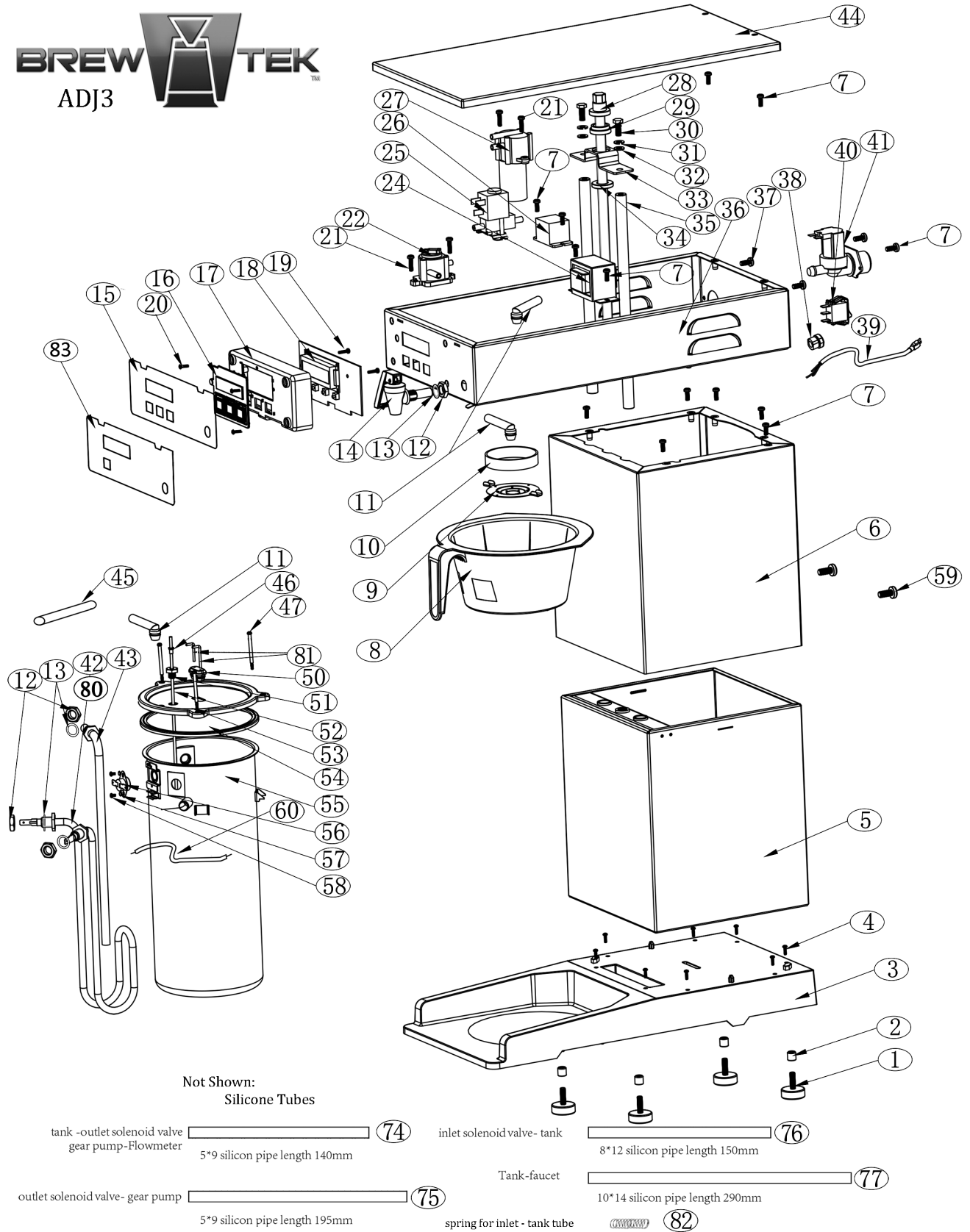


PARTS DIAGRAM



Part #	Description	Part #	Description
BTA001	ADJUSTABLE FOOT	BTA035	GUIDE POLE
BTA002	ADJUSTABLE FOOT INSERT NUT	BTA036	TOP HOUSING
BTA003	PLASTIC BASE	BTA037	FILTER HOUSING BOLT
BTA004	SCREW, PLASTIC BASE	BTA038	POWER CORD CLIP
BTA005	INSIDE HOUSING ASSEMBLY GROUP	BTA039	POWER CORD
BTA006	OUTSIDE HOUSING ASSEMBLY GROUP	BTA040	ROCKER SWITCH
BTA007	SCREW 4 X 10	BTA041	INLET SOLENOID VALVE
BTA008	BREW/BASKET	BTA042	ELEMENT, TANK 1700W 120V
BTA009	SPRAYHEAD, EMBOSSED	BTA043	S/S INLET PIPE
BTA010	SPRAYHEAD SILICONE GASKET	BTA044	TOP LID
BTA011	SPRAYHEAD INLET PIPE	BTA045	TANK VENT SILICONE PIPE
BTA012	HEX NUT, FAUCET & ELEMENT	BTA046	THERMISTER O-RING
BTA013	HEATER SILICONE SEAL	BTA047	WATER TANK ASSEMBLY SCREW
BTA014	FAUCET, LOW PRESSURE	BTA050	WATER LEVEL PROBE RUBBER SEAT
BTA015	ADJ3 LABEL 3 BUTTON	BTA051	NTC ASSEMBLY NUT
BTA016	LCD PLASTIC COVER	BTA052	THERMISTER
BTA017	PCB BOARD HOUSING	BTA053	TANK LID
BTA018	ADJ3 PROGRAMMABLE CIRCUIT BOARD	BTA054	TANK SILICONE SEAL
BTA019	SCREW, PCB BOARD TO BOARD HOUSING	BTA055	WATER TANK
BTA021	FLOWMETER & GEAR PUMP BOLT	BTA056	THERMOSTAT, HI LIMIT
BTA020	SCREW, FRONT PANEL TO BOARD HOUSING	BTA057	THERMOSTAT WASHER, HI LIMIT
BTA022	FLOWMETER	BTA058	THERMOSTAT SCREW, HI LIMIT
BTA024	TRANSFORMER	BTA059	PLASTIC SCREW, SECURING
BTA025	OUTLET SOLENOID VALVE W/BRACKET	BTA060	THERMAL FUSE
BTA026	RELAY	BTA074	SILICONE TUBE 140MM GP-FOW/METERM/WT-OS
BTA027	GEAR PUMP	BTA075	SILICONE TUBE 195MM OUTLET SOLENOID-GEAR PUMP
BTA028	ADJUSTABLE ROD W/13mm HEX	BTA076	SILICONE TUBE 150MM INLET SOLENOID-WATER TANK
BTA029	ADJUSTABLE ROD UPPER GASKET	BTA077	SILICONE TUBE 290MM FAUCET-WATER TANK
BTA030	GUIDE POLE BOLT	BTA080	ELEMENT, TANK 1400W **CANADA ONLY**
BTA031	GASKET, POLE GUIDE	BTA081	WATER LEVEL PROBES W/HARNES
BTA032	WASHER, GUIDE POLE	BTA082	SPRING FOR THE INLET SILICONE TUBE
BTA033	BRACKET, GUIDE POLE	BTA083	ADJ LABEL 1 BUTTON
BTA034	ADJUSTABLE ROD LOWER GASKET	BTA084	OWNER'S MANUAL

**IMPORTANT:****START-UP**

For initial start-up, or if the brewer has not been used for an extended period of time:

Be sure spray disk and brew gasket are properly installed in the brew head.

For automatic brewers, be sure the water supply is properly connected and the water supply valve is turned ON.

Plug the brewer into a receptacle, connect water line. Follow instructions on LED board. Once the tank is full of water, the LED board will display "Filling" then "Heating". The heating elements will begin heating the water in the tank. When the water has reached the proper temperature, the "READY TO BREW" message will glow.

